

SfAR-S-8DI8DO

User Manual

Expansion Module - 8 Digital Inputs, 8 Digital Outputs

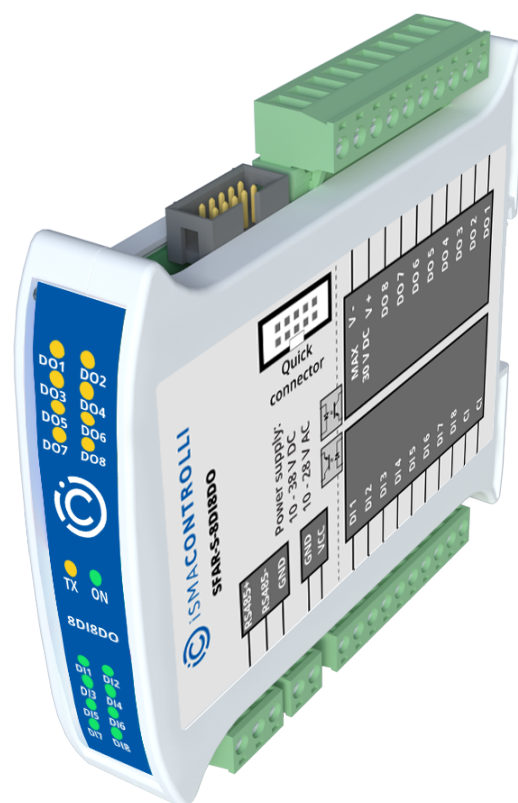


Table of Contents

1	Introduction	4
1.1	Revision History.....	4
2	Safety Rules.....	5
3	Module Features.....	6
3.1	Purpose and Description of the Module	6
3.2	Technical Specification	6
3.3	Dimensions	7
4	Communication.....	9
4.1	Grounding and Shielding.....	9
4.2	Network Termination.....	9
4.3	Setting Module Address in RS485 Modbus Network	9
4.4	Types of Modbus Functions.....	11
4.5	Communication Settings.....	11
4.5.1	Default Settings.....	11
4.6	Restoring Default Configuration	11
4.7	Watchdog.....	12
5	Indicators.....	13
6	Connections.....	14
6.1	Block Diagram	14
6.2	Power Supply Connection	14
6.2.1	DC Power Connection	14
6.2.2	AC Power Connection.....	15
6.3	Communication Bus Connection.....	15
6.4	Connection of Digital Inputs	15
6.4.1	Connection of Inputs	15
6.4.2	Connection of Encoder	16
6.5	Connection of Digital Outputs.....	16
6.5.1	Connection of Outputs.....	16
6.5.2	Connection of Relay.....	16
6.6	Quick Connector	16
7	DIP Switch.....	18
8	Input Filter	19
9	Module Registers.....	20
9.1	Registered Access.....	20

10 Configuration Software 25

1 Introduction

Thank you for choosing our product.

This manual will help you with proper handling and operating of the device.

The information included in this manual have been prepared with utmost care by our professionals and serve as a description of the product without incurring any liability for the purposes of commercial law. This information does not discharge you from the liability of your own judgement and verification.

We reserve the right to change product specifications without notice.

Please read the instructions carefully and follow the recommendations concluded therein.

WARNING!

Failure to follow instructions can result in equipment damage or impede the use of the hardware or software.

1.1 Revision History

Rev.	Date	Description
3.3	10 Apr 2024	Corrected AC power supply diagram
3.2	25 May 2022	Rebranded

Table 1. Revision history

2 Safety Rules

- Improper wiring of the product can damage it and lead to other hazards. Make sure that the product has been correctly wired before turning the power on.
- Before wiring or removing/mounting the product, make sure to turn the power off. Failure to do so might cause an electric shock.
- Do not touch electrically charged parts such as power terminals. Doing so might cause an electric shock.
- Do not disassemble the product. Doing so might cause an electric shock or faulty operation.
- Use the product only within the operating ranges recommended in the specification (temperature, humidity, voltage, shock, mounting direction, atmosphere, etc.). Failure to do so might cause a fire or faulty operation.
- Firmly tighten the wires to the terminal. Failure to do so might cause a fire.
- Avoid installing the product in close proximity to high-power electrical devices and cables, inductive loads, and switching devices. Proximity of such objects may cause an uncontrolled interference, resulting in an instable operation of the product.
- Proper arrangement of the power and signal cabling affects the operation of the entire control system. Avoid laying the power and signal wiring in parallel cable trays. It can cause interferences in monitored and control signals.
- It is recommended to power controllers/modules with AC/DC power suppliers. They provide better and more stable insulation for devices compared to AC/AC transformer systems, which transmit disturbances and transient phenomena like surges and bursts to devices. They also isolate products from inductive phenomena from other transformers and loads.
- Power supply systems for the product should be protected by external devices limiting overvoltage and effects of lightning discharges.
- Avoid powering the product and its controlled/monitored devices, especially high power and inductive loads, from a single power source. Powering devices from a single power source causes a risk of introducing disturbances from the loads to the control devices.
- If an AC/AC transformer is used to supply control devices, it is strongly recommended to use a maximum 100 VA Class 2 transformer to avoid unwanted inductive effects, which are dangerous for devices.
- Long monitoring and control lines may cause loops in connection with the shared power supply, causing disturbances in the operation of devices, including external communication. It is recommended to use galvanic separators.
- To protect signal and communication lines against external electromagnetic interferences, use properly grounded shielded cables and ferrite beads.
- Switching the digital output relays of large (exceeding specification) inductive loads can cause interference pulses to the electronics installed inside the product. Therefore, it is recommended to use external relays/contactors, etc. to switch such loads. The use of controllers with triac outputs also limits similar overvoltage phenomena.
- Many cases of disturbances and overvoltage in control systems are generated by switched, inductive loads supplied by alternating mains voltage (AC 120/230 V). If they do not have appropriate built-in noise reduction circuits, it is recommended to use external circuits such as snubbers, varistors, or protection diodes to limit these effects.

3 Module Features

3.1 Purpose and Description of the Module

The SfAR-S-8DI8DO module is an innovative device that provides a simple and cost-effective extension of the number of lines of input and output in popular PLCs.

The module has 8 digital inputs with configurable timer/counter option and 8 digital outputs. In addition, terminals IN1 and IN2, and IN3 and IN4 can be used to connect two encoders. All inputs and outputs are isolated from the logic using optocouplers. Each channel can be individually configured in one of several modes.

The module is connected to the RS485 bus with a twisted-pair wire. Communication is via Modbus RTU or Modbus ASCII. The use of 32-bit ARM core processor provides fast processing and quick communication. The baud rate is configurable from 2400 to 115200.

The module is designed for mounting on a DIN rail in accordance with DIN EN 5002.

The module is equipped with a set of LEDs to indicate the status of inputs and outputs, power supply, and communication, which is useful for diagnostic purposes and helping to find errors.

Module configuration is done via USB by using a dedicated computer program. It also allows for changing the parameters using the Modbus protocol or set the Modbus address using the DIP switches under the front panel.

3.2 Technical Specification

Power Supply	Voltage	10-38 V DC; 10-28 V AC
	Power consumption (with active Modbus transmission and high state on all outputs)	2.4 W at 24 V DC
		3 VA at 24 V AC
Digital Inputs	No. of inputs	8
	Voltage range	0-36 V
	Low state "0"	0-3 V
	High state "1"	6-36 V
	Input impedance	4 k Ω
	Isolation	1500 Vrms
	Input type	PNP or NPN
Digital Outputs	No. of outputs	8

	Max. voltage	30 V
	Max. current	500 mA
	Output type	PNP
	Isolation	1500 Vrms
	Output protection	4 A polymer fuse
Counters	No. of counters	8
	Resolution	32-bits
	Frequency	1 kHz (max.)
	Impulse width	500 μ s (min.)
Temperature	Work	-10 °C to +50°C (14°F to 122°F)
	Storage	-40 °C to +85°C (-40°F to 185°F)
Connectors	Power supply	2 pin
	Communication	3 pin
	Inputs	10 pin
	Outputs	10 pin
	Quick connector	IDC10
	Configuration	mini USB
Size	Height	119.1 mm (4.689 in)
	Length	110.9 mm (4.366 in)
	Width	22.7 mm (0.894 in)
Interface	RS485	Up to 128 devices

Table 2. Technical specification

3.3 Dimensions

The appearance and dimensions of the module are shown below. The module is mounted directly to the rail in the DIN industry standard. Power connectors, communication, and IOs are at the bottom and top of the module. USB connector configuration and indicators located on the front of the module.

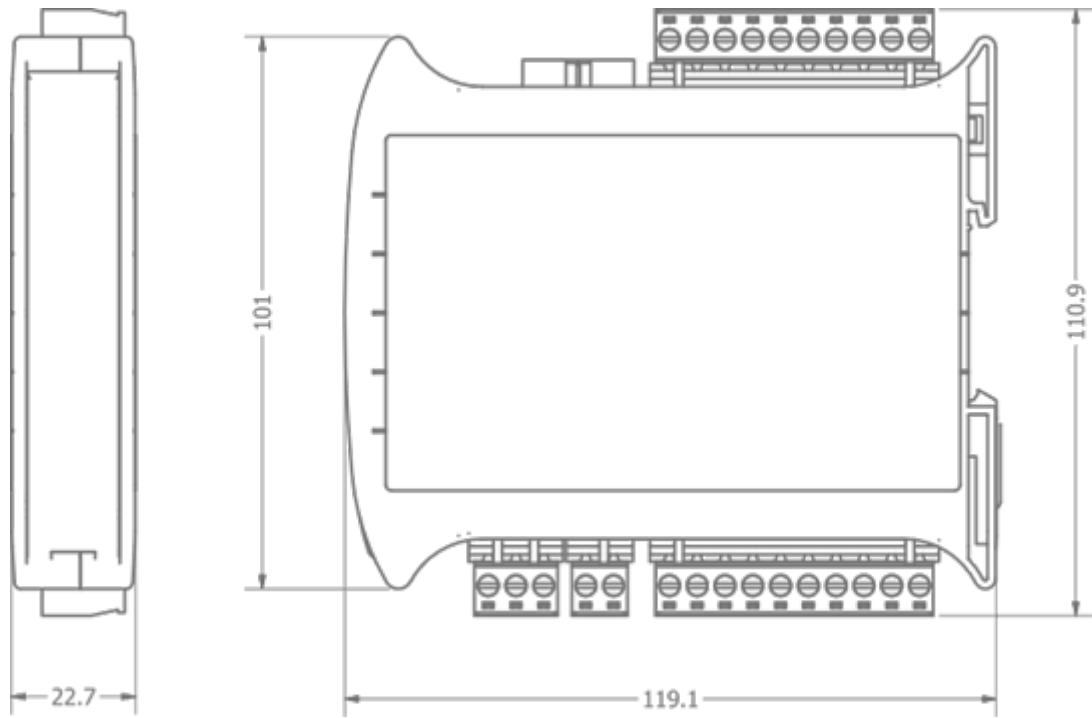


Figure 1. Dimensions

4 Communication

4.1 Grounding and Shielding

In most cases, I/O modules will be installed in an enclosure along with the other devices, which generate electromagnetic radiation. Relays, contactors, transformers, motor invertors, etc., are examples of such devices. Radiation can induce electrical noise into both power and signal lines, as well as direct radiation into the module. Whether or not the SfAR modules are immune to such effects, the interferences must be suppressed at their source if possible to ensure the proper functioning of the entire system. Appropriate grounding, shielding and other protective steps should be taken at the installation stage to prevent these effects. It is recommended to at least follow the rules below:

- line power cables must be routed with spatial separation from signal and data transmission cables;
- analog and digital signal cables should also be separated;
- it is recommended to use shielded cables for analog signals, cable shields should not be interrupted by intermediate terminals;
- the shielding should be earthed directly after the cable enters the cabinet.

It is recommended to install interference suppressors when switching inductive loads (e.g., coils of contactors, relays, solenoid valves). RC snubbers or varistors are suitable for AC voltage and freewheeling diodes for DC voltage loads. The suppressing elements must be connected as close to the coil as possible.

4.2 Network Termination

Transmission line effects often present problems for data communication networks. These problems include reflections and signal attenuation.

To eliminate the presence of reflections of signal from the end of the cable, the cable must be terminated at both ends with a resistor across the line adequate to its characteristic impedance. Both ends must be terminated since the propagation is bidirectional. In case of an RS485 twisted pair cable, this termination is typically 120 Ω .

4.3 Setting Module Address in RS485 Modbus Network

The following table shows how to set DIP switches to determine the address of the module. The module address is set with the switches in the range of 0 to 31. Addresses from 32 to 255 can be set via RS485 or USB and using dedicated software tool.

Addr	SW1	SW2	SW3	SW4	SW5
0	OFF	OFF	OFF	OFF	OFF
1	ON	OFF	OFF	OFF	OFF
2	OFF	ON	OFF	OFF	OFF
3	ON	ON	OFF	OFF	OFF

Addr	SW1	SW2	SW3	SW4	SW5
4	OFF	OFF	ON	OFF	OFF
5	ON	OFF	ON	OFF	OFF
6	OFF	ON	ON	OFF	OFF
7	ON	ON	ON	OFF	OFF
8	OFF	OFF	OFF	ON	OFF
9	ON	OFF	OFF	ON	OFF
10	OFF	ON	OFF	ON	OFF
11	ON	ON	OFF	ON	OFF
12	OFF	OFF	ON	ON	OFF
13	ON	OFF	ON	ON	OFF
14	OFF	ON	ON	ON	OFF
15	ON	ON	ON	ON	OFF
16	OFF	OFF	OFF	OFF	ON
17	ON	OFF	OFF	OFF	ON
18	OFF	ON	OFF	OFF	ON
19	ON	ON	OFF	OFF	ON
20	OFF	OFF	ON	OFF	ON
21	ON	OFF	ON	OFF	ON
22	OFF	ON	ON	OFF	ON
23	ON	ON	ON	OFF	ON
24	OFF	OFF	OFF	ON	ON
25	ON	OFF	OFF	ON	ON
26	OFF	ON	OFF	ON	ON
27	ON	ON	OFF	ON	ON
28	OFF	OFF	ON	ON	ON
29	ON	OFF	ON	ON	ON

Addr	SW1	SW2	SW3	SW4	SW5
30	OFF	ON	ON	ON	ON
31	ON	ON	ON	ON	ON

Table 3. Setting module address in RS485 Modbus network, using DIP switch

4.4 Types of Modbus Functions

There are 4 types of Modbus functions supported by the SfAR modules.

Type	Beginning Address	Variable	Access	Modbus Command
1	00001	Digital Outputs	Bit Read & Write	1, 5, 15
2	10001	Digital Inputs	Bit Read	2
3	30001	Input Registers	Registered Read	3
4	40001	Output Registers	Registered Read & Write	4, 6, 16

Table 4. Types of Modbus functions supported by the module

4.5 Communication Settings

The data stored in the module's memory is given in the 16-bit registers. The access to registers is via Modbus RTU or Modbus ASCII.

4.5.1 Default Settings

The default configuration can be restored with the DIP switch, SW6.

Baud Rate	19200
Parity	No
Data Bits	8
Stop Bits	1
Reply Delay [ms]	0
Modbus Type	RTU

Table 5. Default settings

4.6 Restoring Default Configuration

To restore the default configuration, follow the steps below:

- Turn the power off;
- Turn the switch SW6 on;
- Turn the power on;
- When power and the communication LED are lit, turn the switch SW6 off.

WARNING! After restoring the default configuration, all values stored in the registers are cleared as well.

Configuration Registers

Modbus Address	Decimal Address	Hex Address	Name	Values
40003	2	0x02	Baud Rate	0 – 2400 1 – 4800 2 – 9600 3 – 19200 4 – 38400 5 – 57600 6 – 115200 other – value * 10
40005	4	0x04	Parity	0 – none 1 – odd 2 – even 3 – always 0 4 – always 1
40004	3	0x03	Stop Bits	1 – one stop bit 2 – two stop bits
40004	3	0x03	Data Bits	7 – 7 data bits 8 – 8 data bits
40006	5	0x05	Response Delay	Time in ms
40007	6	0x06	Modbus Mode	0 – RTU 1 – ASCII

Table 6. Configuration registers

4.7 Watchdog

This 16-bits register specifies the time in milliseconds to watchdog reset. If the module does not receive any valid message within that time, all digital and analog outputs will be set to the default state.

This feature is useful if there is an interruption in data transmission and for security reasons. Output states must be set to the appropriate state in order to reassure the safety of persons or property.

The default value is 0 milliseconds, which means the watchdog function is disabled.

5 Indicators

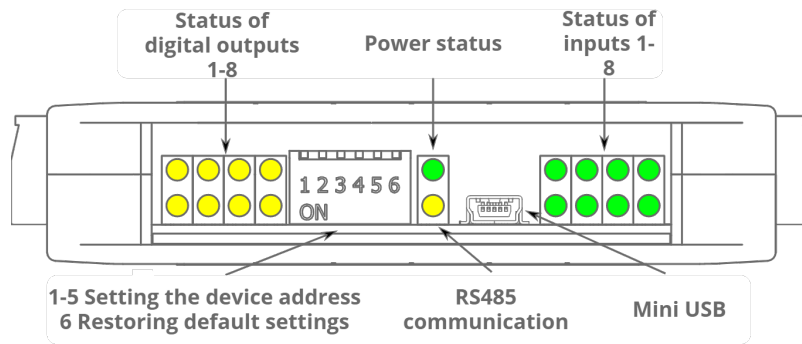


Figure 2. Indicators

Indicator	Description
Power Supply	The LED indicates that the module is correctly powered
Communication	The LED lights up when the unit receives the correct packet and sends the answer
Inputs State	The LED indicates that on the input is high state
Outputs State	The LED indicates that the output is on

Table 7. Description of indicators

6 Connections

6.1 Block Diagram

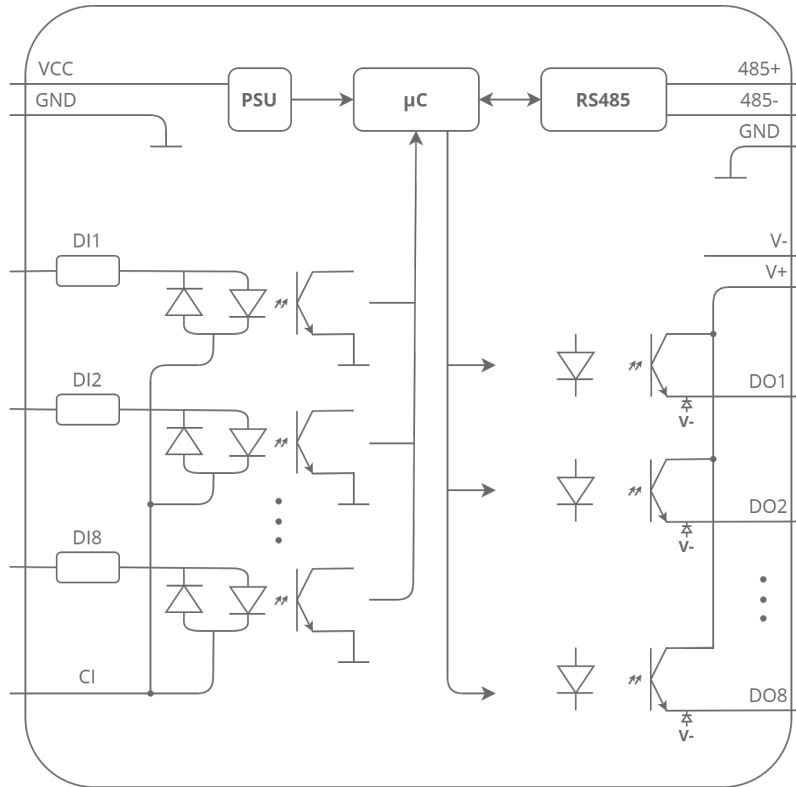


Figure 3. Block diagram

6.2 Power Supply Connection

6.2.1 DC Power Connection

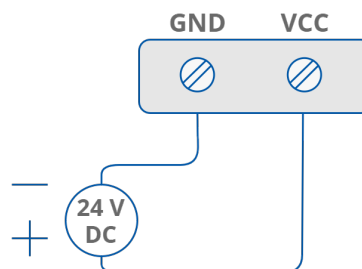


Figure 4. DC power connection

6.2.2 AC Power Connection

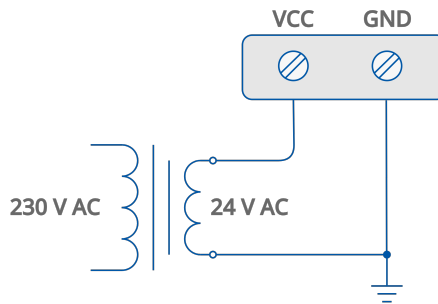


Figure 5. AC power connection

6.3 Communication Bus Connection

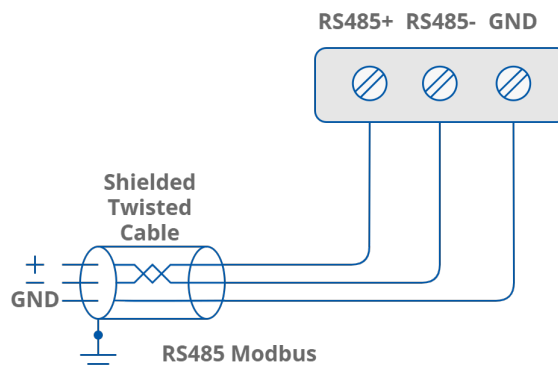


Figure 6. Communication bus connection

6.4 Connection of Digital Inputs

6.4.1 Connection of Inputs

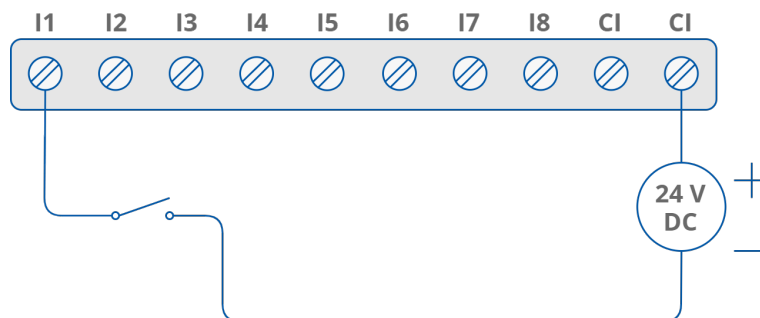


Figure 7. Connection of input

6.4.2 Connection of Encoder

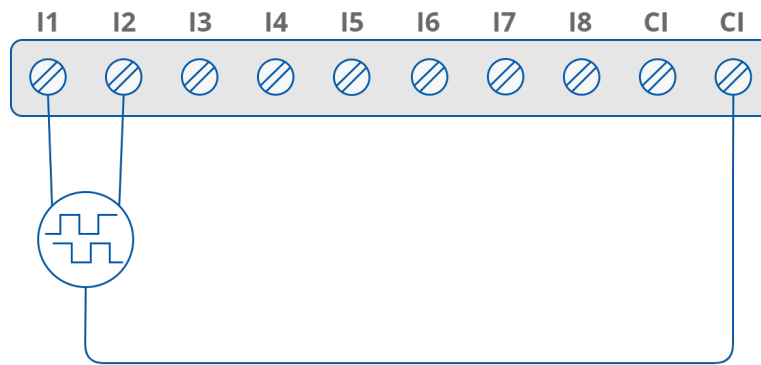


Figure 8. Connection of encoder

6.5 Connection of Digital Outputs

6.5.1 Connection of Outputs

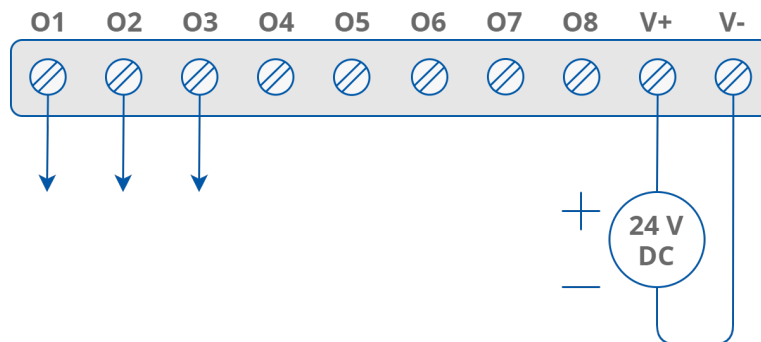


Figure 9. Connection of digital outputs

6.5.2 Connection of Relay

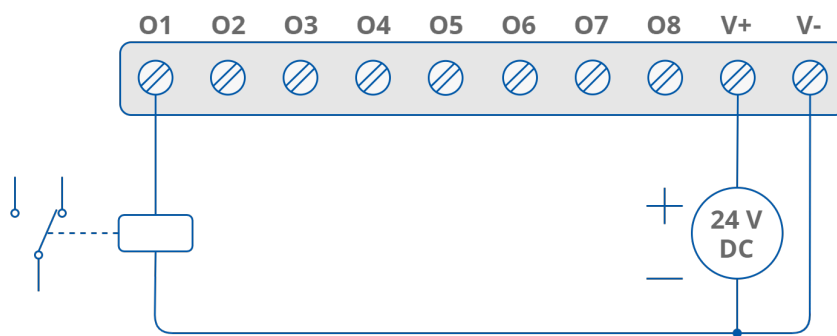


Figure 10. Connection of relay

6.6 Quick Connector

The Quick Connector is a unique feature of modules that allows for quickly connecting a group of devices with a flat ribbon cable. Thanks to this solution, it is enough to connect power and RS485 communication to one of the devices in the group, and the others will be powered and communicated with ribbon cable. The Quick Connector is sufficient to

connect up to 10 devices next to each other. It is important that the various types of modules in the SfAR-S family can be connected with the ribbon cable.

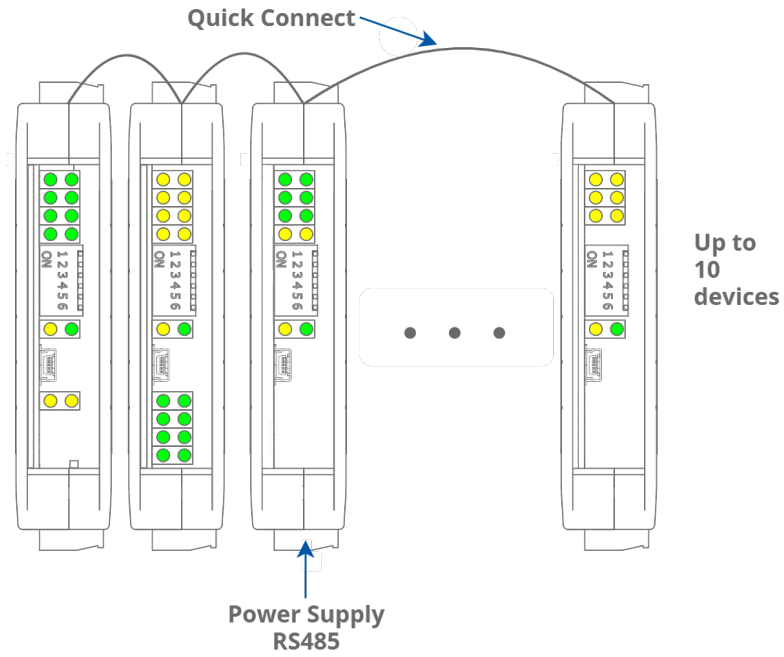


Figure 11. Quick Connector

7 DIP Switch



Figure 12. DIP switch

Switch	Function	Description
1	Module address +1	Setting module address from 0 to 31
2	Module address +2	
3	Module address +4	
4	Module address +8	
5	Module address +16	
6	Restoring default settings	Restoring default settings

Table 8. Description of switches

8 Input Filter

Digital inputs allow connection of the AC signal. However, due to the fact that these inputs are fast and allow counting pulses at 1 kHz frequency, it is not possible to use them to monitor the presence of a variable frequency signal like 50 Hz because, depending on the moment at which the input state is read with the Modbus protocol, different results can be obtained despite the fact that AC voltage is still present. To be able to monitor the AC signals, the possibility of filtering the digital inputs has been introduced. Filtration works in a way that the high state occurs if the voltage is maintained for at least 40 ms. The low state appears when there is no voltage for at least 80 ms.

The filter can be turned on for each input of the device independently using the 40018 register.

9 Module Registers

9.1 Registered Access

Modbus Address	Decimal Address	Hex Address	Register Name	Access	Description
30001	0	0x00	Version/Type	Read	Version and type of the device
30002	1	0x01	Switches	Read	Switches state
40003	2	0x02	Baud Rate	Read/write	RS485 baud rate
40004	3	0x03	Stop Bits & Data Bits	Read/write	No. of stop bits & data bits
40005	4	0x04	Parity	Read/write	Parity bit
40006	5	0x05	Response Delay	Read/write	Response delay in ms
40007	6	0x06	Modbus Mode	Read/write	Modbus mode (ASCII or RTU)
40009	8	0x08	Watchdog	Read/write	Watchdog
40013	12	0x0C	Default Output State	Read/write	Default output state (after power on or watchdog reset)
40018	17	0x11	Inputs Filter	Read/write	Configuration of the inputs filter
40033	32	0x20	Received Packets LSR (Least Significant Register)	Read/write	No. of received packets
40034	33	0x21	Received Packets MSR (Most Significant Register)	Read/write	
40035	34	0x22	Incorrect Packets LSR	Read/write	No. of received packets with error
40036	35	0x23	Incorrect Packets MSR	Read/write	
40037	36	0x24	Sent Packets LSR	Read/write	No. of sent packets
40038	37	0x25	Sent Packets MSR	Read/write	
30051	50	0x32	Inputs	Read	Inputs state
40052	51	0x33	Outputs	Read/write	Output state
40053	52	0x34	Counter 1 LSR	Read/write	32-bit counter 1

Modbus Address	Decimal Address	Hex Address	Register Name	Access	Description
40054	53	0x35	Counter 1 MSR	Read/write	
40055	54	0x36	Counter 2 LSR	Read/write	32-bit counter 2
40056	55	0x37	Counter 2 MSR	Read/write	
40057	56	0x38	Counter 3 LSR	Read/write	32-bit counter 3
40058	57	0x39	Counter 3 MSR	Read/write	
40059	58	0x3A	Counter 4 LSR	Read/write	32-bit counter 4
40060	59	0x3B	Counter 4 MSR	Read/write	
40061	60	0x3C	Counter 5 LSR	Read/write	32-bit counter 5
40062	61	0x3D	Counter 5 MSR	Read/write	
40063	62	0x3E	Counter 6 LSR	Read/write	32-bit counter 6
40064	63	0x3F	Counter 6 MSR	Read/write	
40065	64	0x40	Counter 7 LSR	Read/write	32-bit counter 7
40066	65	0x41	Counter 7 MSR	Read/write	
40067	66	0x42	Counter 8 LSR	Read/write	32-bit counter 8
40068	67	0x43	Counter 8 MSR	Read/write	
40085	84	0x54	CCounter 1 LSR	Read/write	32-bit value of captured counter 1
40086	85	0x55	CCounter 1 MSR	Read/write	
40087	86	0x56	CCounter 2 LSR	Read/write	32-bit value of captured counter 2
40088	87	0x57	CCounter 2 MSR	Read/write	
40089	88	0x58	CCounter 3 LSR	Read/write	32-bit value of captured counter 3
40090	89	0x59	CCounter 3 MSR	Read/write	
40091	90	0x5A	CCounter 4 LSR	Read/write	32-bit value of captured counter 4
40092	91	0x5B	CCounter 4 MSR	Read/write	
40093	92	0x5C	CCounter 5 LSR	Read/write	32-bit value of captured counter 5
40094	93	0x5D	CCounter 5 MSR	Read/write	
40095	94	0x5E	CCounter 6 LSR	Read/write	32-bit value of captured counter 6

Modbus Address	Decimal Address	Hex Address	Register Name	Access	Description
40096	95	0x5F	CCounter 6 MSR	Read/write	
40097	96	0x60	CCounter 7 LSR	Read/write	32-bit value of captured counter 7
40098	97	0x61	CCounter 7 MSR	Read/write	
40099	98	0x62	CCounter 8 LSR	Read/write	32-bit value of captured counter 8
40100	99	0x63	CCounter 8 MSR	Read/write	
40117	116	0x74	Counter Config 1	Read/write	Counter Configuration +1 – time measurement (if 0 counting impulses) +2 – autocatch counter every 1 sec +4 – catch value when input low +8 – reset counter after catch +16 – reset counter if input low +32 – encoder (only for counter 1 and 3)
40118	117	0x75	Counter Config 2	Read/write	
40119	118	0x76	Counter Config 3	Read/write	
40120	119	0x77	Counter Config 4	Read/write	
40121	120	0x78	Counter Config 5	Read/write	
40122	121	0x79	Counter Config 6	Read/write	
40123	122	0x7A	Counter Config 7	Read/write	
40124	123	0x7B	Counter Config 8	Read/write	
40133	132	0x84	Catch	Read/write	Catch counter
40134	133	0x85	Status	Read/write	Captured counter

Table 9. Registered access

Bit Access

Modbus Address	Dec Address	Hex Address	Register Name	Access	Description
193	192	0x0C0	Default State of Output 1	Read/write	Default state of output 1
194	193	0x0C1	Default State of Output 2	Read/write	Default state of output 2
195	194	0x0C2	Default State of Output 3	Read/write	Default state of output 3
196	195	0x0C3	Default State of Output 4	Read/write	Default state of output 4
197	196	0x0C4	Default State of Output 5	Read/write	Default state of output 5

Modbus Address	Dec Address	Hex Address	Register Name	Access	Description
198	197	0x0C5	Default State of Output 6	Read/write	Default state of output 6
199	198	0x0C6	Default State of Output 7	Read/write	Default state of output 7
200	199	0x0C7	Default State of Output 8	Read/write	Default state of output 8
10801	800	0x320	Input 1	Read	Input 1 state
10802	801	0x321	Input 2	Read	Input 2 state
10803	802	0x322	Input 3	Read	Input 3 state
10804	803	0x323	Input 4	Read	Input 4 state
10805	804	0x324	Input 5	Read	Input 5 state
10806	805	0x325	Input 6	Read	Input 6 state
10807	806	0x326	Input 7	Read	Input 7 state
10808	807	0x327	Input 8	Read	Input 8 state
817	816	0x330	Output 1	Read/write	Output 1 state
818	817	0x331	Output 2	Read/write	Output 2 state
819	818	0x332	Output 3	Read/write	Output 3 state
820	819	0x333	Output 4	Read/write	Output 4 state
821	820	0x334	Output 5	Read/write	Output 5 state
822	821	0x335	Output 6	Read/write	Output 6 state
823	822	0x336	Output 7	Read/write	Output 7 state
824	823	0x337	Output 8	Read/write	Output 8 state
2113	2112	0x840	Capture 1	Read/write	Capture counter 1
2114	2113	0x841	Capture 2	Read/write	Capture counter 2
2115	2114	0x842	Capture 3	Read/write	Capture counter 3
2116	2115	0x843	Capture 4	Read/write	Capture counter 4
2117	2116	0x844	Capture 5	Read/write	Capture counter 5
2118	2117	0x845	Capture 6	Read/write	Capture counter 6

Modbus Address	Dec Address	Hex Address	Register Name	Access	Description
2119	2118	0x846	Capture 7	Read/write	Capture counter 7
2120	2119	0x847	Capture 8	Read/write	Capture counter 8
2129	2120	0x848	Captured 1	Read/write	Captured value of counter 1
2130	2129	0x849	Captured 2	Read/write	Captured value of counter 2
2131	2130	0x84A	Captured 3	Read/write	Captured value of counter 3
2132	2131	0x84B	Captured 4	Read/write	Captured value of counter 4
2133	2132	0x84C	Captured 5	Read/write	Captured value of counter 5
2134	2133	0x84D	Captured 6	Read/write	Captured value of counter 6
2135	2134	0x84E	Captured 7	Read/write	Captured value of counter 7
2136	2135	0x84F	Captured 8	Read/write	Captured value of counter 8

Table 10. Bit access

10 Configuration Software

The SfAR Configurator is a software, which is designed to set the communication module registers over Modbus network as well as to read and write the current value of other registers of the module. It is a convenient way to test the system as well as to observe real-time changes in the registers.

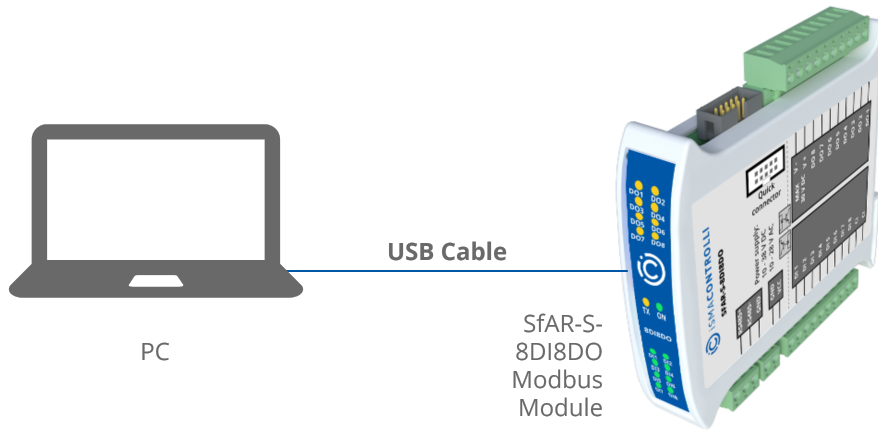


Figure 13. PC connection

Communication with the module is via a USB cable. The module does not require any drivers.

The SfAR Configurator is an universal software, where it is possible to configure all available modules.

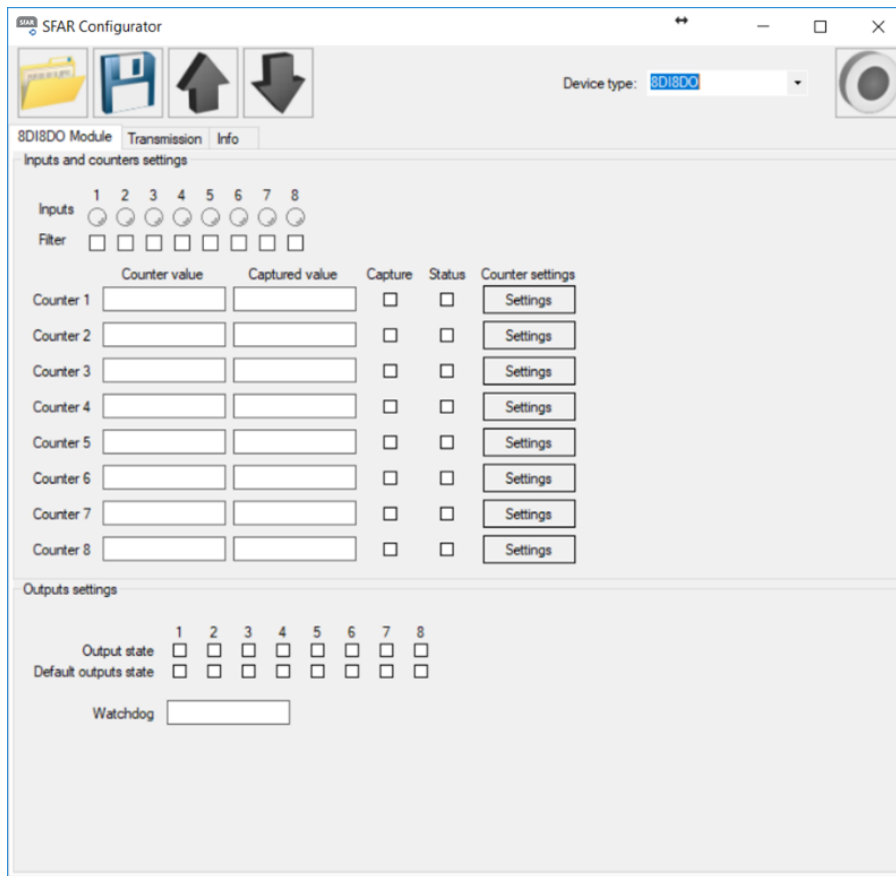


Figure 14. The SfAR Configurator